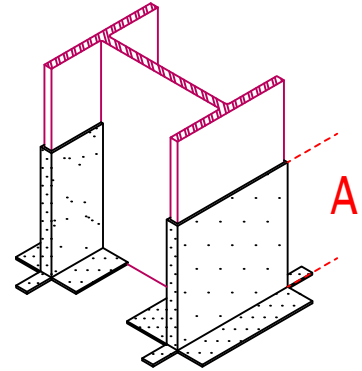
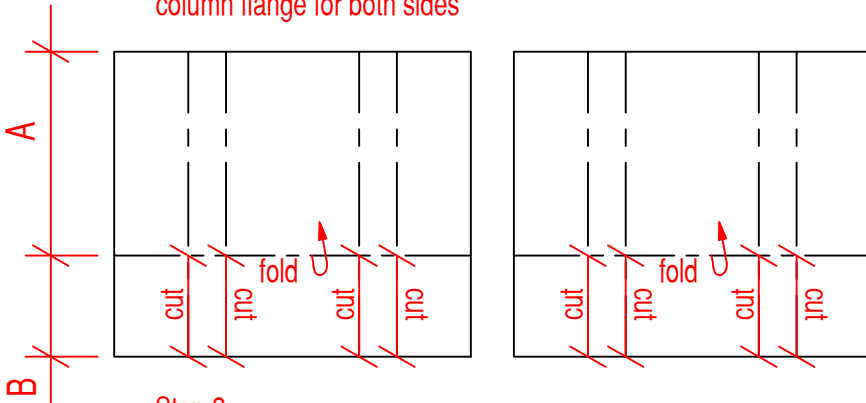


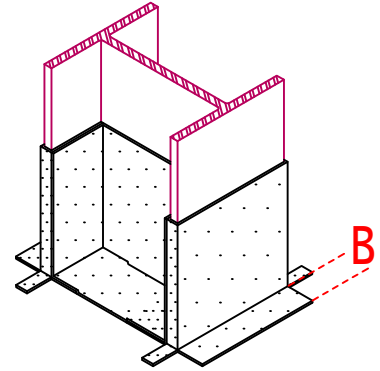
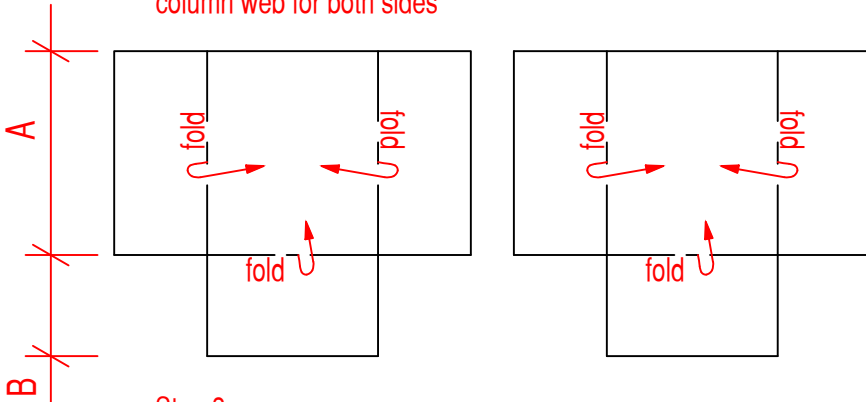
FTR FORTI-LOCK FLEECE PATTERN

A - 8" Min.
 B - 2" Min.
 C - 8" Min.

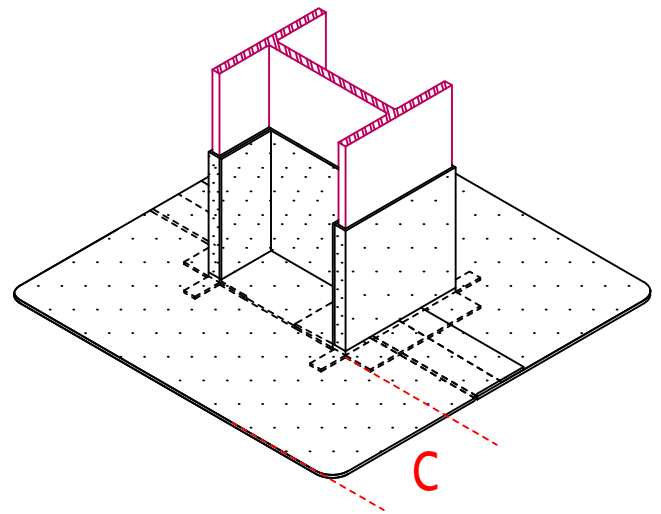
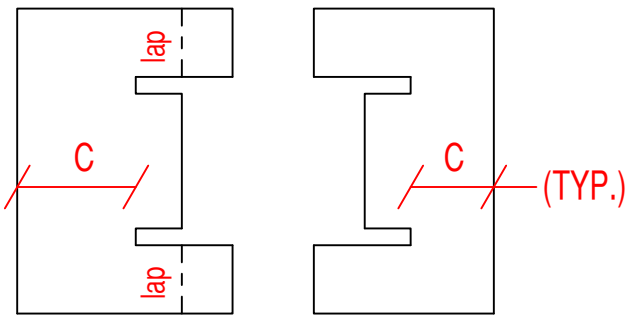
Step 1.
 Cut, Fold & Apply finger flashings at column flange for both sides



Step 2.
 Cut, Fold & Apply finger flashings at column web for both sides



Step 3.
 Cut & Apply target patch over finger flashings with 2" overlap



Round all Corners



GENERAL REFERENCE: FORTI-LOCK APPLICATION GUIDELINES	LIQUID APPLIED FTR FORTI-LOCK™ PMMA "I" BEAM		
	APPLICABLE SYSTEMS: PRE APPROVED ONLY	REVISES DETAIL ALL PREVIOUS	ISSUE DATE 12-19-20