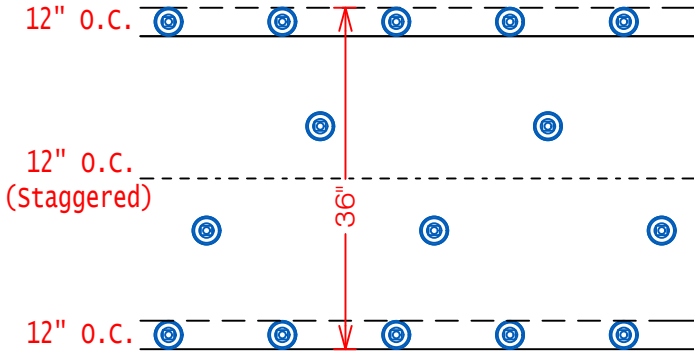


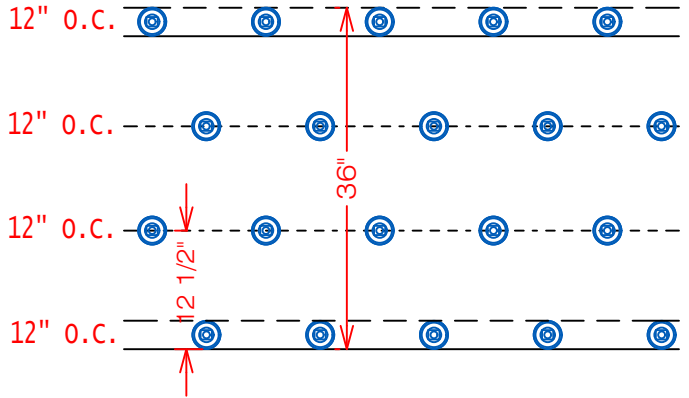
### FIELD FASTENING

1. FASTEN SIDE LAPS (THROUGH BOTH SHEETS) AT 12 IN. O.C.
2. INSTALL 2 INTERMEDIATE ROWS OF FASTENERS STAGGERED BETWEEN EACH ROW AT 12 IN. O.C.



### PERIMETER FASTENING

1. FASTEN SIDE LAPS (THROUGH BOTH SHEETS) AT 12 IN. O.C.
2. INSTALL 2 INTERMEDIATE ROWS OF FASTENERS STAGGERED BETWEEN EACH ROW AT 12 IN. O.C. WITHIN THE SPECIFIED WIDTH OF ALL EXTERIOR PERIMETERS.

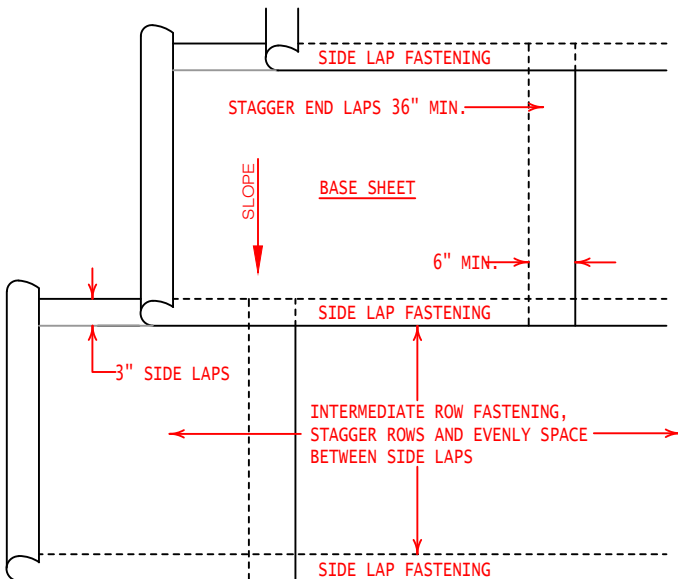
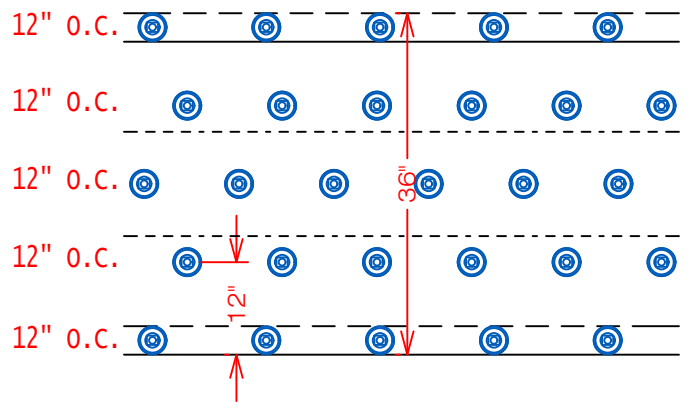


### NOTES:

- A. MAINTAIN 3" MIN. SIDE LAPS.
- B. MAINTAIN 6" MIN. END LAPS.
- C. END LAPS SHALL BE OFFSET AND STAGGERED 36" MIN.
- D. INTERMEDIATE ROW FASTENING IN THE FIELD OF THE BASE SHEET SHALL BE EVENLY STAGGERED.

### CORNER FASTENING (IF REQUIRED)

1. FASTEN SIDE LAPS (THROUGH BOTH SHEETS) AT 12 IN. O.C.
2. INSTALL 3 INTERMEDIATE ROWS OF FASTENERS STAGGERED BETWEEN EACH ROW AT 12 IN. O.C. WITHIN A SPECIFIED CORNER AREA.



GENERAL REFERENCE:  
"FTR GS 01/21"

APPLICABLE SYSTEMS:  
"FTR MA 01/21"  
"FTR AD 01/21"

### FTR SBS BASE SHEET ATTACHMENT

REVISES DETAIL

ALL PREVIOUS

ISSUE DATE

05-11-21

DRAWING NUMBER

FTR-DM2