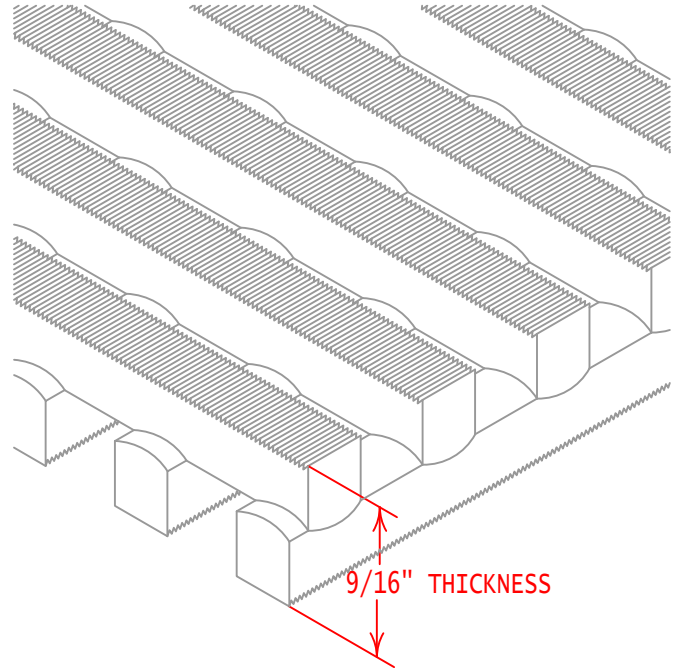


NOTE:
 LOOSE LAID CROSSGRIP PAD IS SUITABLE FOR
 ALL LOW WIND AREAS (NO WELDING REQUIRED)



NOTE:
 ROLL SIZE - 24" X 33'
 CUT TO LENGTH & SHAPE DESIRED



GENERAL REFERENCE:
 "FTR GS 01/21"

APPLICABLE SYSTEMS:
 "FTR MA 01/21"
 "FTR AD 01/21"
 "FTR BA 01/21"

FTR CROSSGRIP WALKWAY (LOW WIND AREA)

REVISES DETAIL	ISSUE DATE	DRAWING NUMBER
ALL PREVIOUS	08-18-21	FTR-DM1d