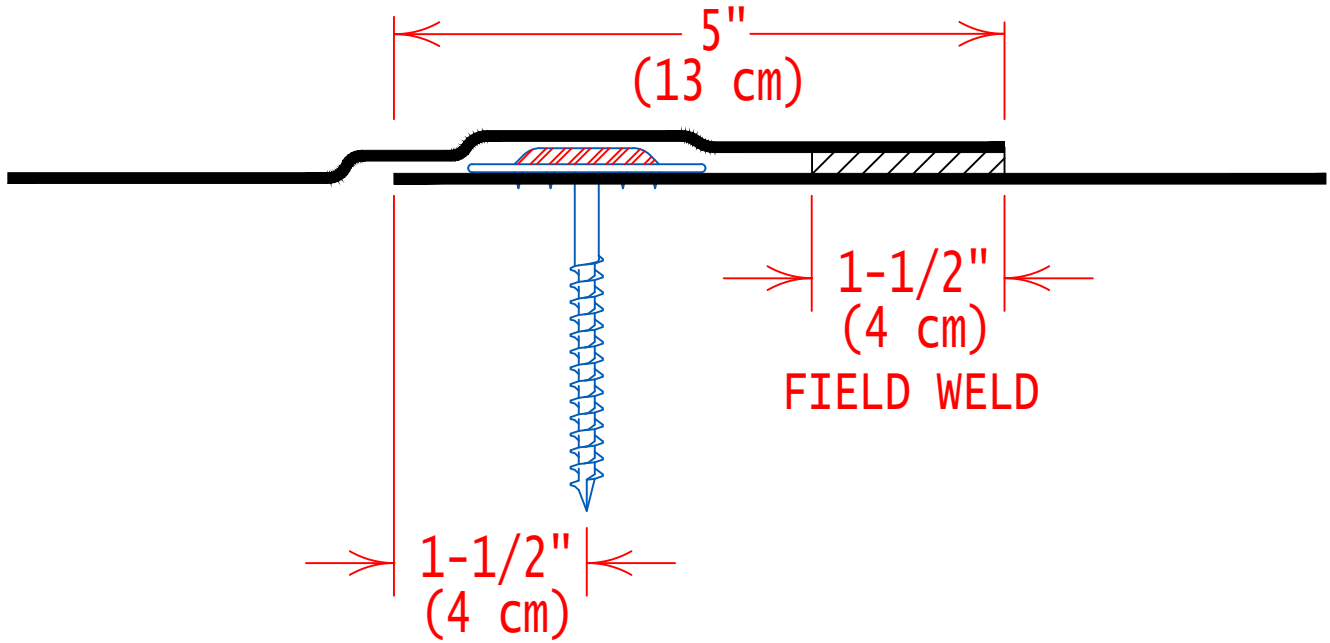
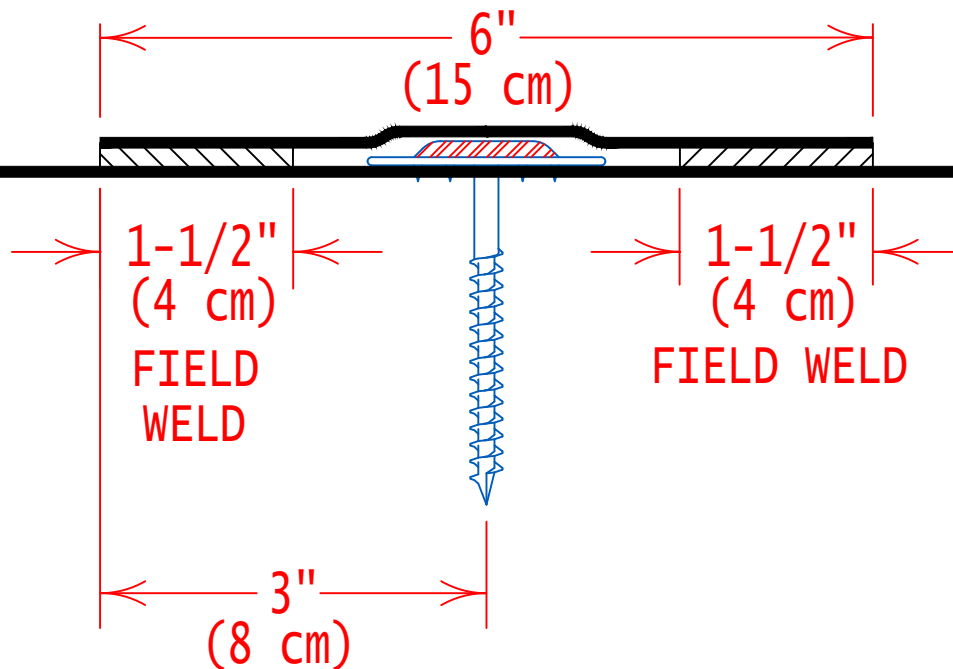


## LAP STYLE "B" OPEN



## LAP STYLE "D" CLOSED



GENERAL REFERENCE:  
"FTR GS 01/21"

APPLICABLE SYSTEMS:  
"FTR MA 01/21"

FTR MAGNUM PLATES & FASTENERS  
LAP STYLE AND POSITION

REVISES DETAIL  
ALL PREVIOUS

ISSUE DATE  
02-02-21

DRAWING NUMBER  
FTR-DLAPa